

# INTEGRATED CONNECTOR MODULES

V811-1X4T-06-F 10/100Base-TX MagJack® 1 x 4



## ELECTRICAL CHARACTERISTICS @ 25°C

### TURNS RATIO

TX 1CT : 1  
RX 1CT : 1

### DCI @ 100kHz/100mVRMS

8mA DC BIAS 350µH MIN.

### INS. LOSS

1MHz TO 100MHz -1.0 dB MAX

### RET. LOSS (MIN)

1MHz-30MHz -18 dB  
30MHz-60MHz  $-18+20\text{LOG}(F/30\text{MHz})$  dB  
60MHz-80MHz -12 dB

### CROSS TALK (TX - RX)

500kHz - 100 MHz -35 dB MIN

### CM TO CM REJ

100kHz - 100 MHz -30 dB MIN

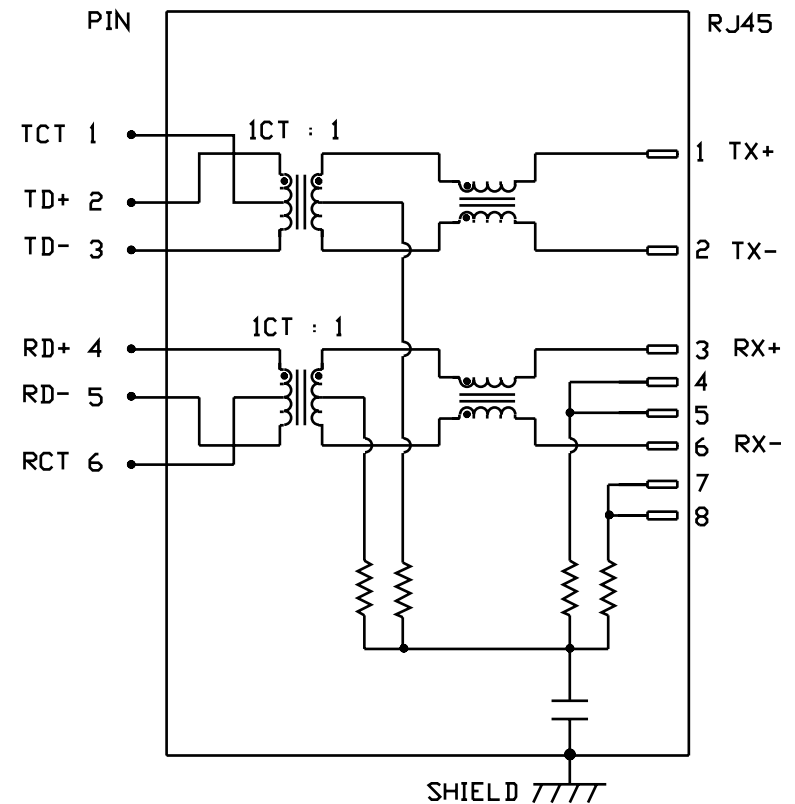
### CM TO DM REJ

100kHz - 100 MHz -35 dB MIN

### HIPOT (Isolation Voltage):

1500 Vrms

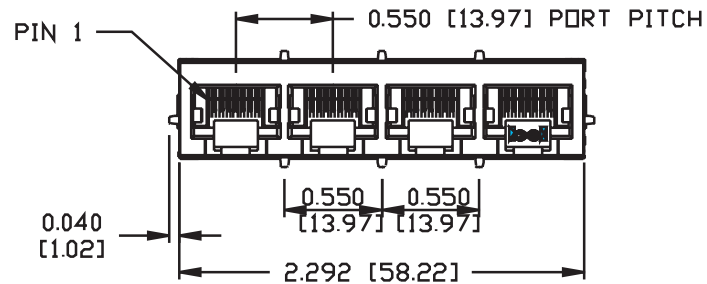
## SCHEMATIC



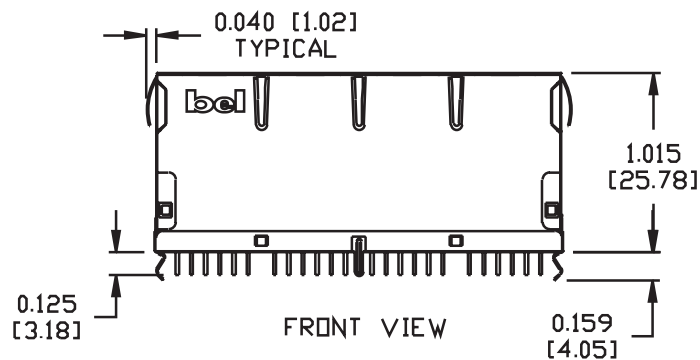
# INTEGRATED CONNECTOR MODULES

V811-1X4T-06-F 10/100Base-TX MagJack® 1 x 4

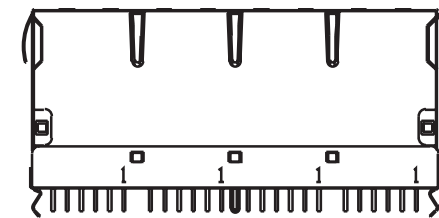
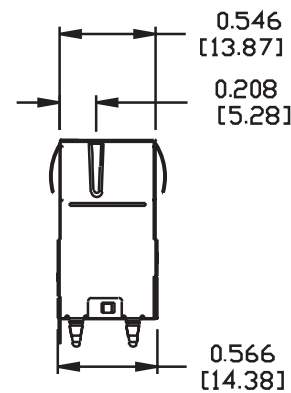
## MECHANICAL SPECIFICATION



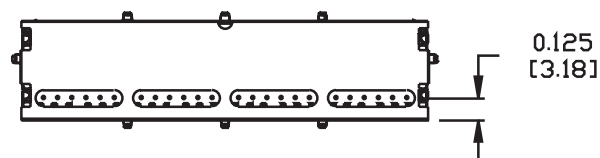
TOP VIEW



FRONT VIEW



BACK VIEW



BOTTOM VIEW

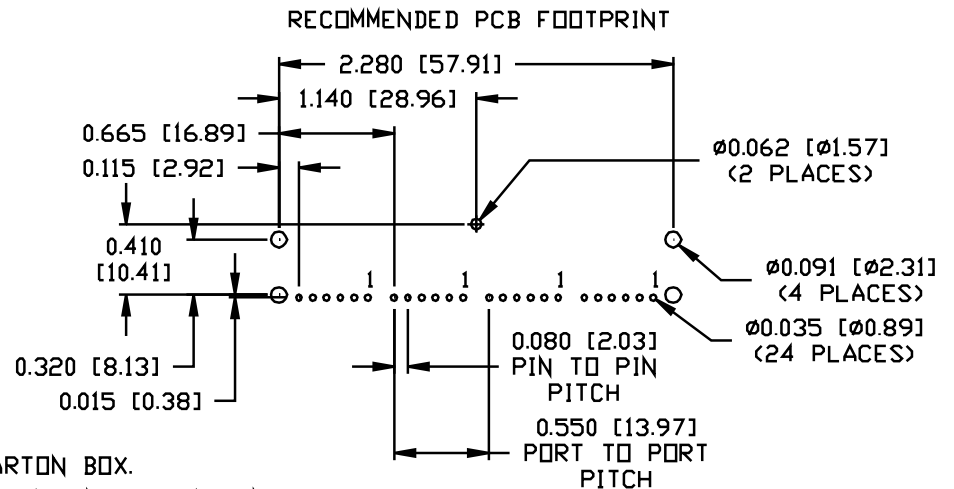
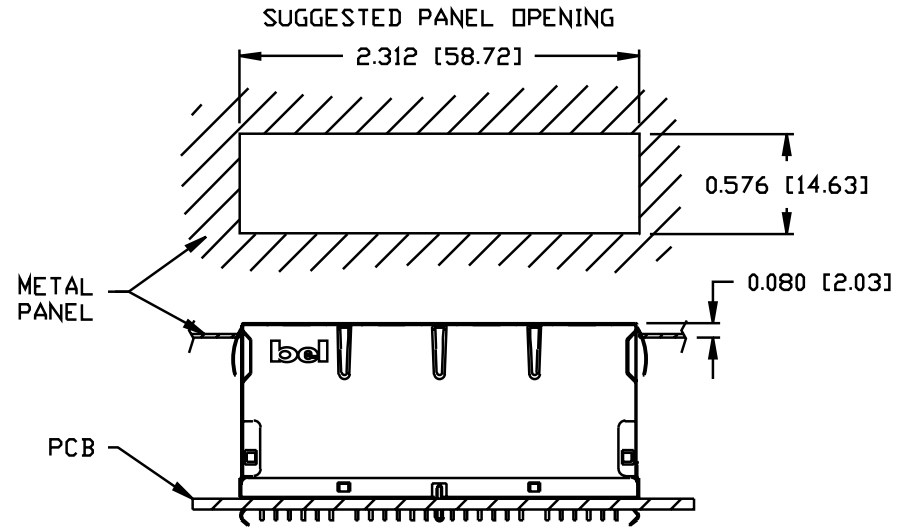
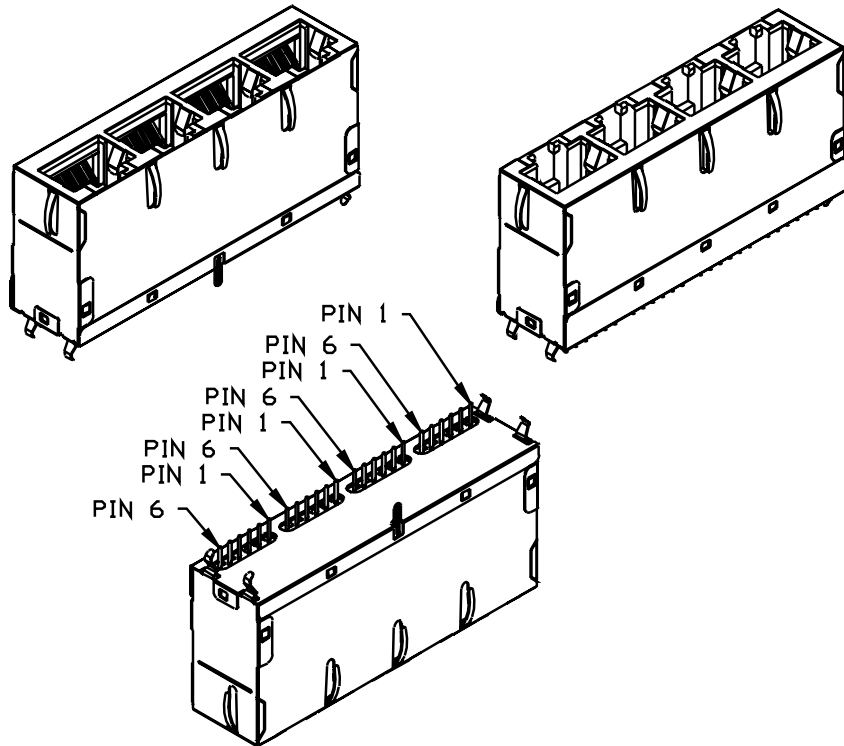
NOTES:

1. PLASTIC HOUSING: THERMOPLASTIC PBT  
FLAMMABILITY RATING UL 94V-0
2. CONTACTS: 50 MICRO-INCH HARD GOLD PLATING
3. PINS: TIN-COATED COPPER WIRE, DIA 0.018 INCH.
4. SOLDERABILITY: PER MIL STD. 202, METHOD 208.
5. METAL SHIELD: NICKEL PLATED COPPER ALLOY.

RoHS COMPLIANCE, PER EU DIRECTIVE 2002/95/EC

# INTEGRATED CONNECTOR MODULES

V811-1X4T-06-F 10/100Base-TX MagJack® 1 x 4



**PACKING INFORMATION**

PACKING TRAY : 0200-0148-29 (TOP)  
0200-0148-30 (BOTTOM)

PACKING QUANTITY : 25 PCS FINISHED GOOD PER TRAY  
10 TRAY (250 PCS FINISHED GOOD) PER CARTON BOX.

NOTE : CARDBOARD ARE PLACED BETWEEN LAYERS OF PACKING TRAY INSIDE CARTON BOX.  
(INCLUDE THE UPPER MOST AND LOWER MOST TRAY)